

# PUNTO

## SIDE-OPENING TECHNOPOLYMER CAMERA HOUSING



IP66



PUNTO

### DESCRIPTION

This aerodynamic technopolymer housing has been designed to accommodate a variety of camera and lens combinations

Very easy to install thanks to the side-opening system that allows the full access to the camera, lenses and all internal connections.

The front is designed to offer protection from sunlight and atmospheric agents.

The housing proposes various mounting options, wall or ceiling brackets, feedthrough and non-feedthrough, or Pan & Tilt head.

A wide range of accessories for mounting the equipment is available thereby satisfying all installation needs.



PUNTO + SUNSHIELD

PUNTO + BRACKET WBOVA2 + SUNSHIELD

### MAIN FEATURES

Pre-arranged for internal cable management bracket

Suitable for a variety of combinations of cameras and lenses

Integrated heater

Available accessories: camera power supply

IP66

## TECHNICAL DATA

### GENERAL

Made of strong technopolymer  
RAL9002 Colour  
Stainless steel external screws

### MECHANICAL

Internal usable area (WxH): 70x70mm (2.7x2.7in)  
Internal usable length (with or without accessories): 250mm (9.8in)  
Unit weight: 0.8kg (1.8lb)  
Cable glands: 2xM16  
Housing window

- Material: Glass
- Dimensions (WxH): 60/95x63mm (2.4/3.7x2.5in)

### ELECTRICAL

Supply voltage/Current consumption (empty version):

- From 12Vdc up to 24Vdc, 1A max
- From 12Vac up to 24Vac, 1A max, 50/60Hz
- From 120Vac up to 230Vac, 400mA max, 50/60Hz

Supply voltage/Current consumption (version with heater, Ton 15°C±3°C (59°F ±5°F), Toff 22°C±3°C (72°F±5°F)):

- From 12Vdc up to 24Vdc, 3A max
- From 12Vac up to 24Vac, 3A max, 50/60Hz
- From 120Vac up to 230Vac, 400mA max, 50/60Hz

### ENVIRONMENT

For indoors and outdoors installation  
Operating temperature with heating: from -20°C (-4°F) up to +60°C (140°F)  
Chemical agents resistance

- High resistance: basics, alcohols, gas, hydrocarbon
- Good resistance: Organic acids, inorganic acids, oils
- Low resistance: Solvents

Relative humidity: from 5% up to 95%

### CERTIFICATIONS

Electrical safety (CE): EN60950-1, IEC60950-1, EN62368-1, IEC62368-1  
Electromagnetic compatibility (CE): EN50130-4, EN61000-6-3, EN55022 Classe B  
Outdoor installation (CE): EN60950-22, IEC 60950-22  
IP protection degree (EN60529): IP66  
UL certification: cULus Listed, TYPE 4X (only versions from 12Vdc up to 24Vdc and from 12Vac up to 24Vac)  
EAC certification

## ACCESSORIES

OHOTS	Sunshield
OHOTPS1	Wide range camera power supply, IN from 100Vac up to 240Vac - OUT 12Vdc, 1.25A, for housing PUNTO
OHOTPS2	Camera transformer, IN 230Vac - OUT 24Vac, 400mA, for housing PUNTO
OWBIP2	Sealing rings kit (3xM16) IP66 for WBOVA2 and WCM4A2 brackets for housings PUNTO, HOV, HTV, VERSO, VERSO POLAR, VERSO COMPACT, HEB
OSUPPIR	Support for 1 GEKO IRH illuminator under the housing (the combination between OSUPPIR and WBOVA2 wall mount is not compatible with the PUNTO housing)

## BRACKETS AND ADAPTORS

WBJA	Wall mount bracket
WBOVA2	Wall bracket with internal cable channel
WBOV3A2	Wall bracket with internal cable channel, counterplate and support box, not compatible with OHEBVF1, OHEBVF2 and OHEBVF3
WCM3A	Ceiling bracket with ball joint
WCM5A	Ceiling bracket with ball joint
WCM4A2	Ceiling bracket with internal cable channel
WCMPA	Linear extension for WCM4A2 and WCM5A
WCWA	Corner mount adaptor
WFWCA	Column bracket with joint
DBHWGC	Pole adapter Ø 210mm, max 225mm (8.2in, max 8.9in). To be combined with the reinforcing support plate WCPA.
WSFPA	Pole mount adaptor
WCPA	Reinforcing support plate for poor consistency walls
NXWTU	ALSI 316L stainless steel adapter module for oblique surfaces

## PACKAGE

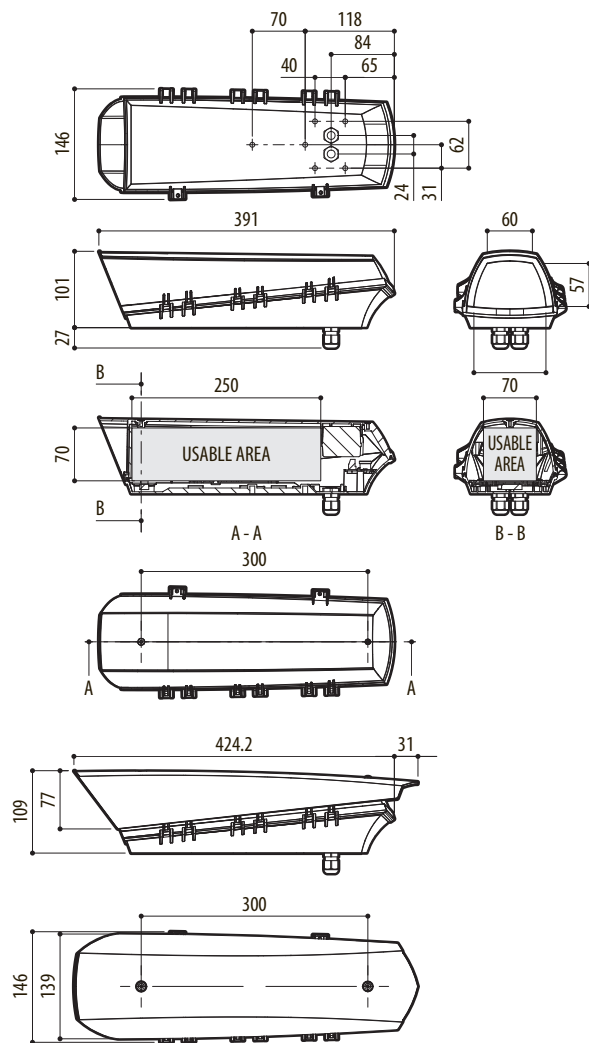
Model Number	Weight	Dimensions (WxHxL)	Master carton
HOT39D1A000	1kg (2.2lb)	41.5x11.5x16.5cm (16x4.5x6.5in)	15
HOT39D1A085	1.7kg (3.7lb)	41.5x20x15.5cm (16.3x7.9x6.1in)	8

## AVAILABLE MODELS

Model Number	Only housing	Sunshield	Heater 120/230Vac	Heater 12Vdc/24Vac	Wall bracket WBOVA2
HOT39D0A000	√	-	-	-	-
HOT39D1A000	-	-	√	-	-
HOT39D1A085	-	-	√	-	√
HOT39D2A000	-	-	-	√	-
HOT39D2A085	-	-	-	√	√
HOT39K1A000	-	√	√	-	-
HOT39K2A000	-	√	-	√	-

## TECHNICAL DRAWINGS

The indicated measurements are expressed in millimetres.



PUNTO